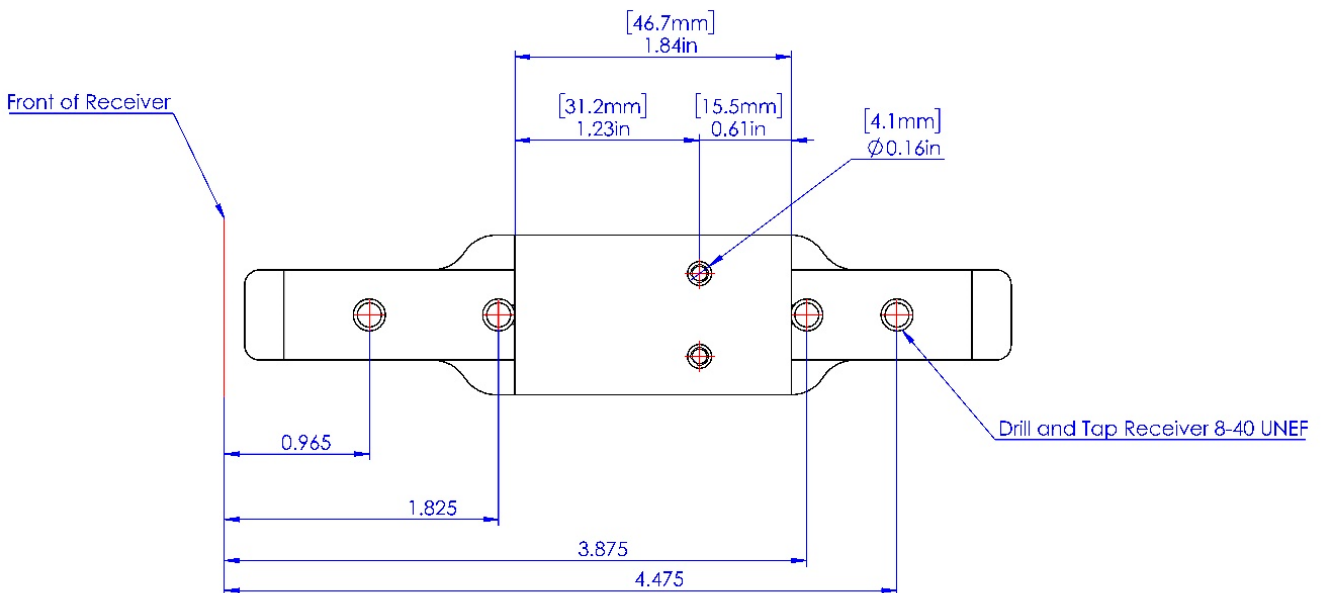
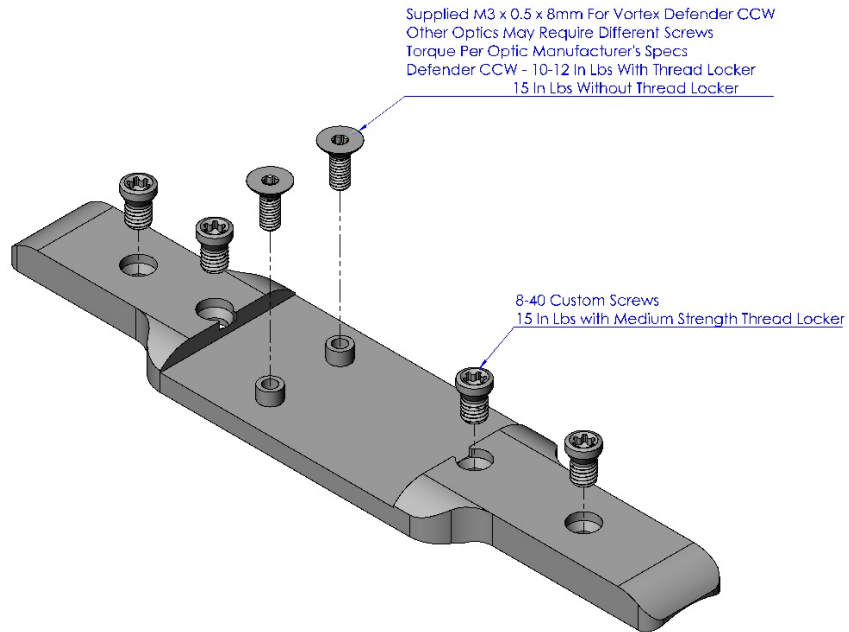




BRILEY

Benelli Optic Mount – Vortex Defender

The Briley Benelli Optic Mount is designed to fit the Vortex Defender series red dot optics on shotguns with Benelli pattern threads. This sight base may fit other optics with similar footprints with compatible overall length and boss diameter (see drawings).



This hole spacing is consistent with factory Benelli M4 and M2 Tactical hole location. This distance from the front of the receiver is the preferred location for the optic mount, however any position on the receiver will work if the hole spacing is correct.